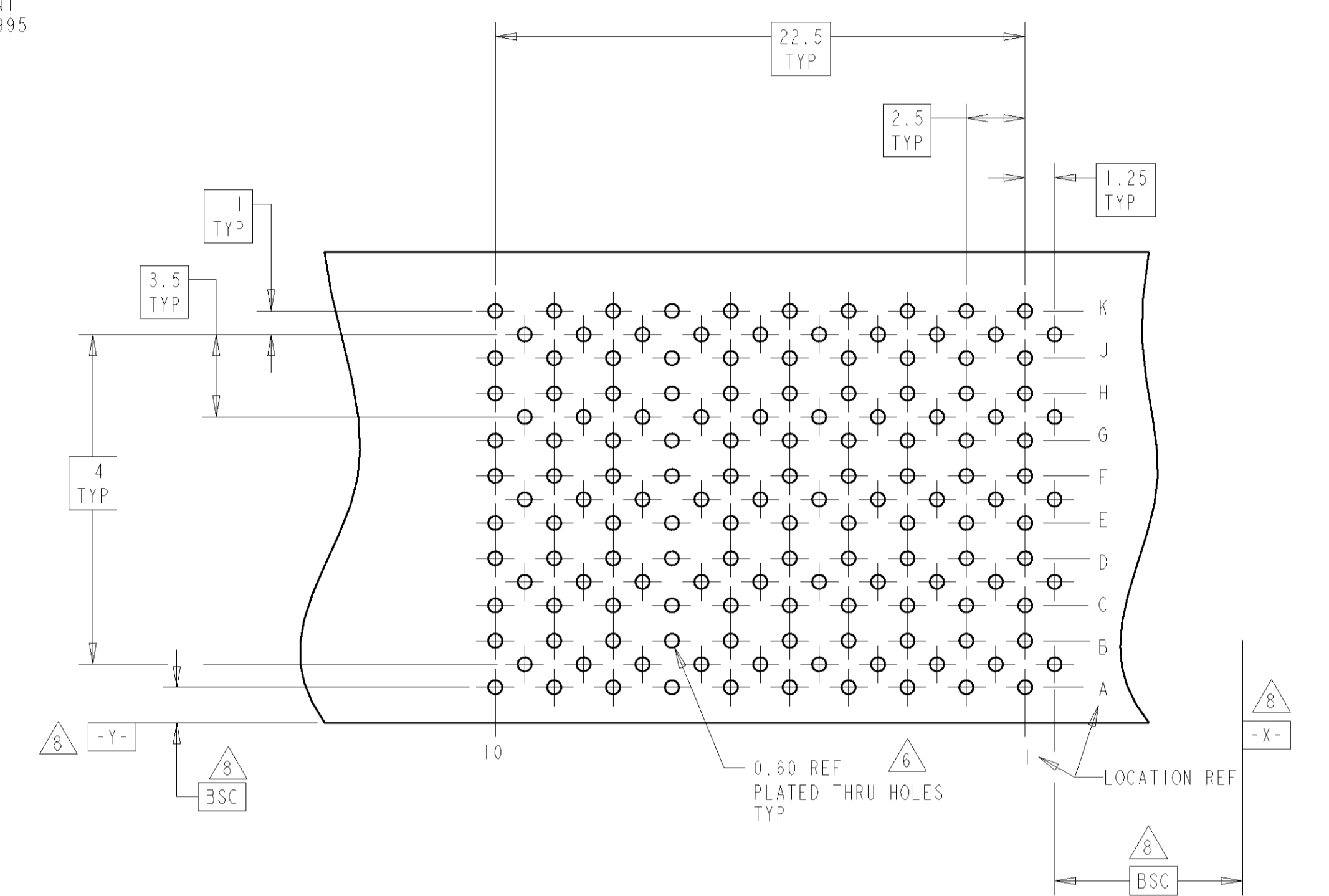
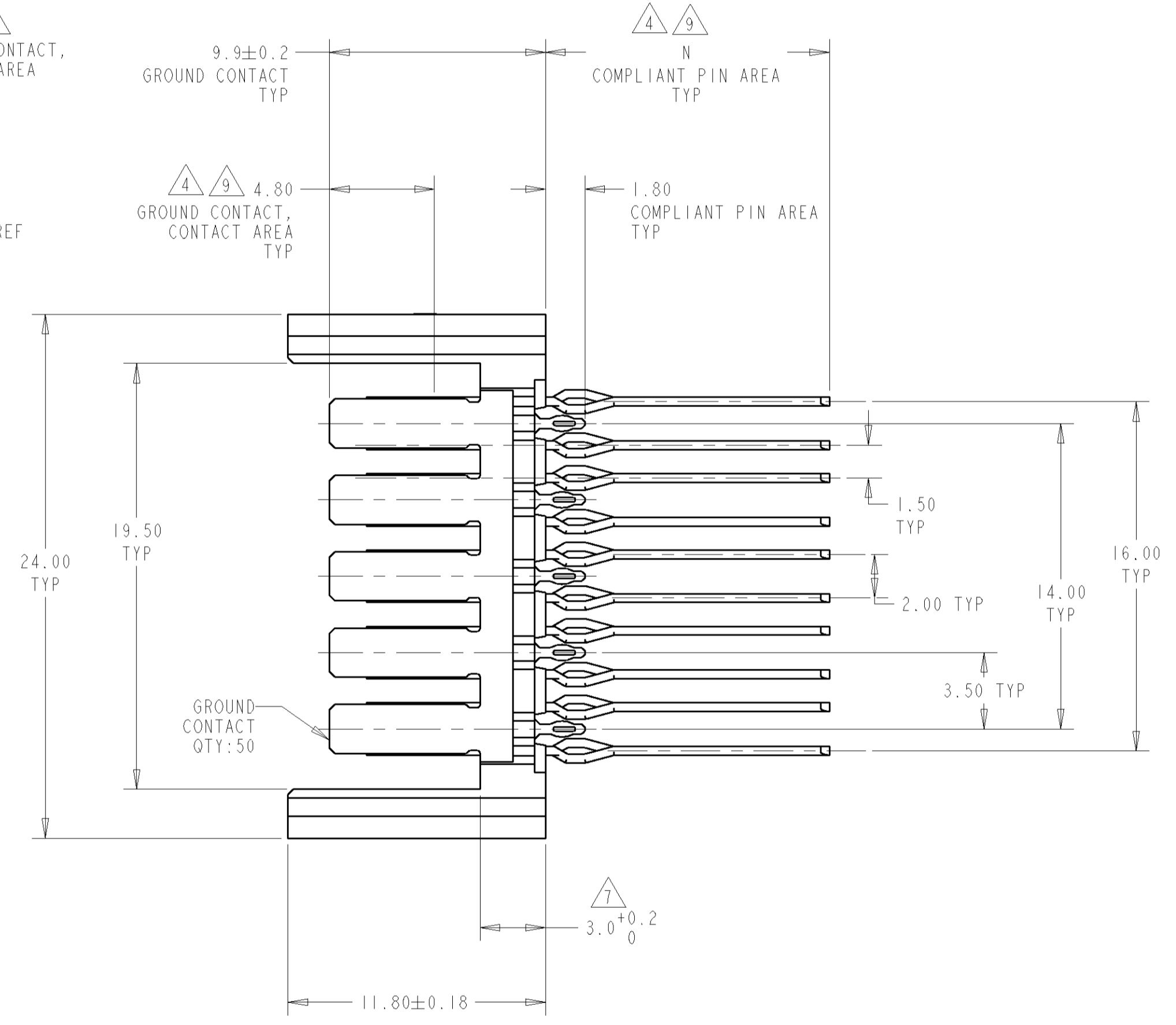
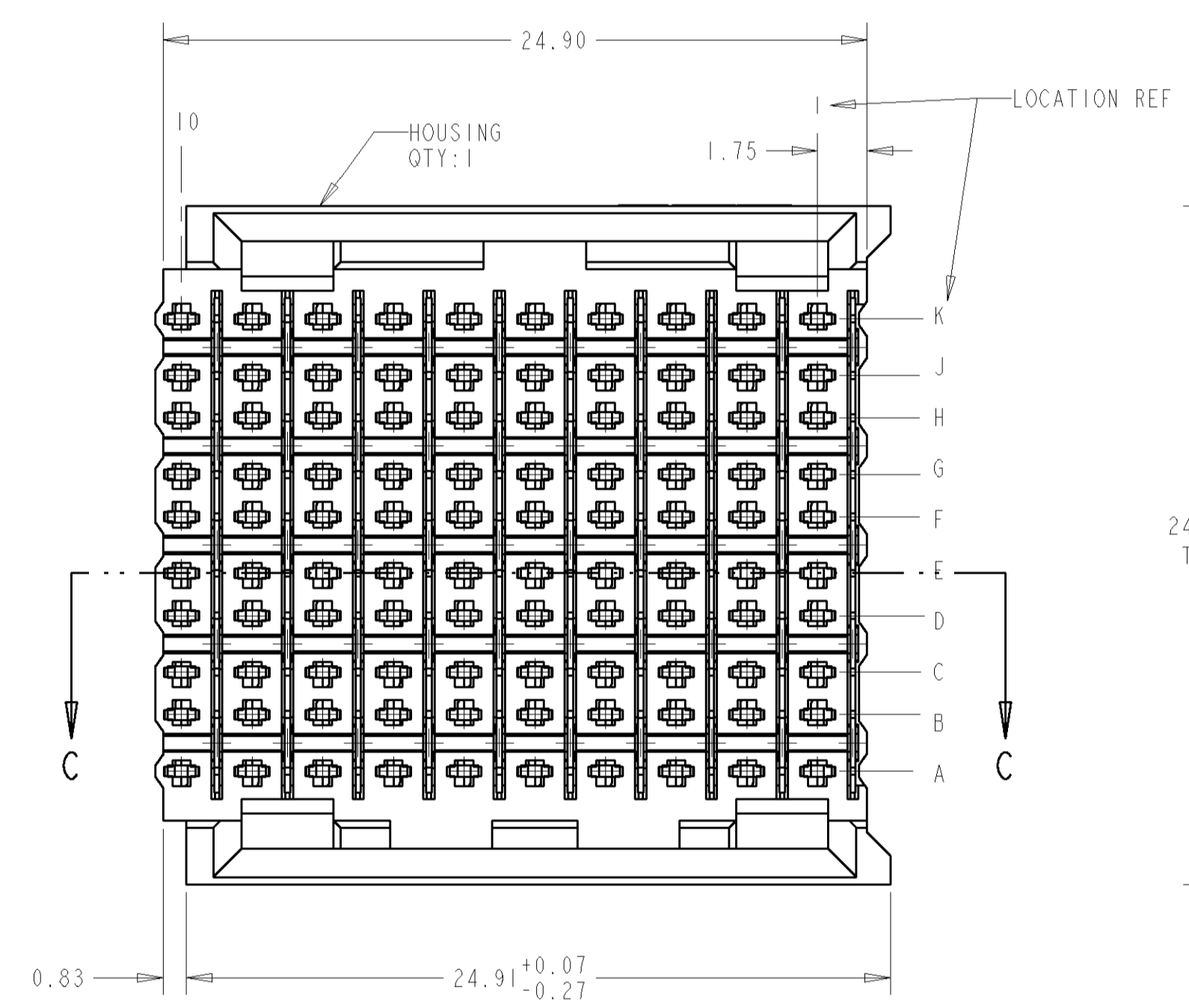
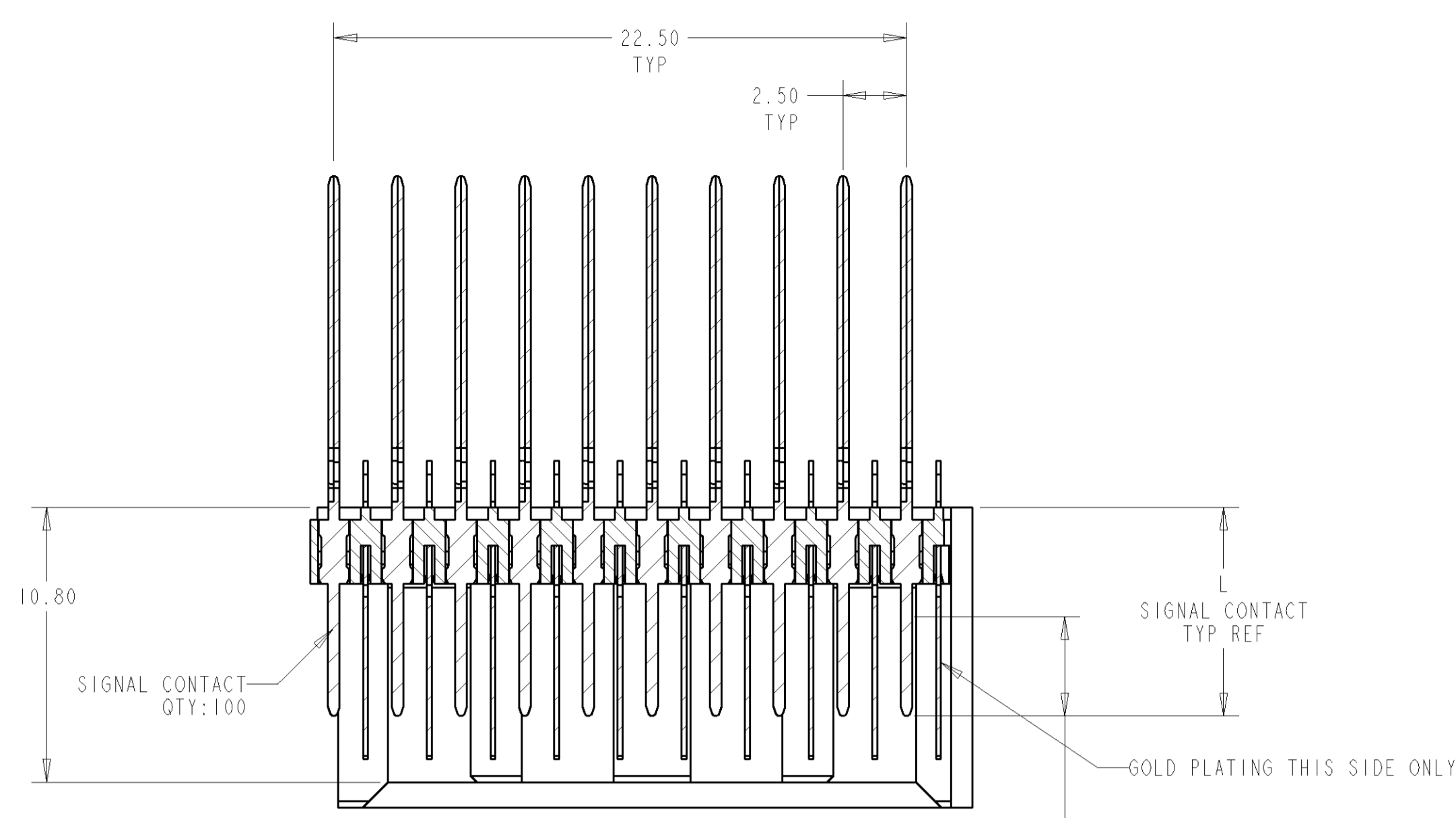
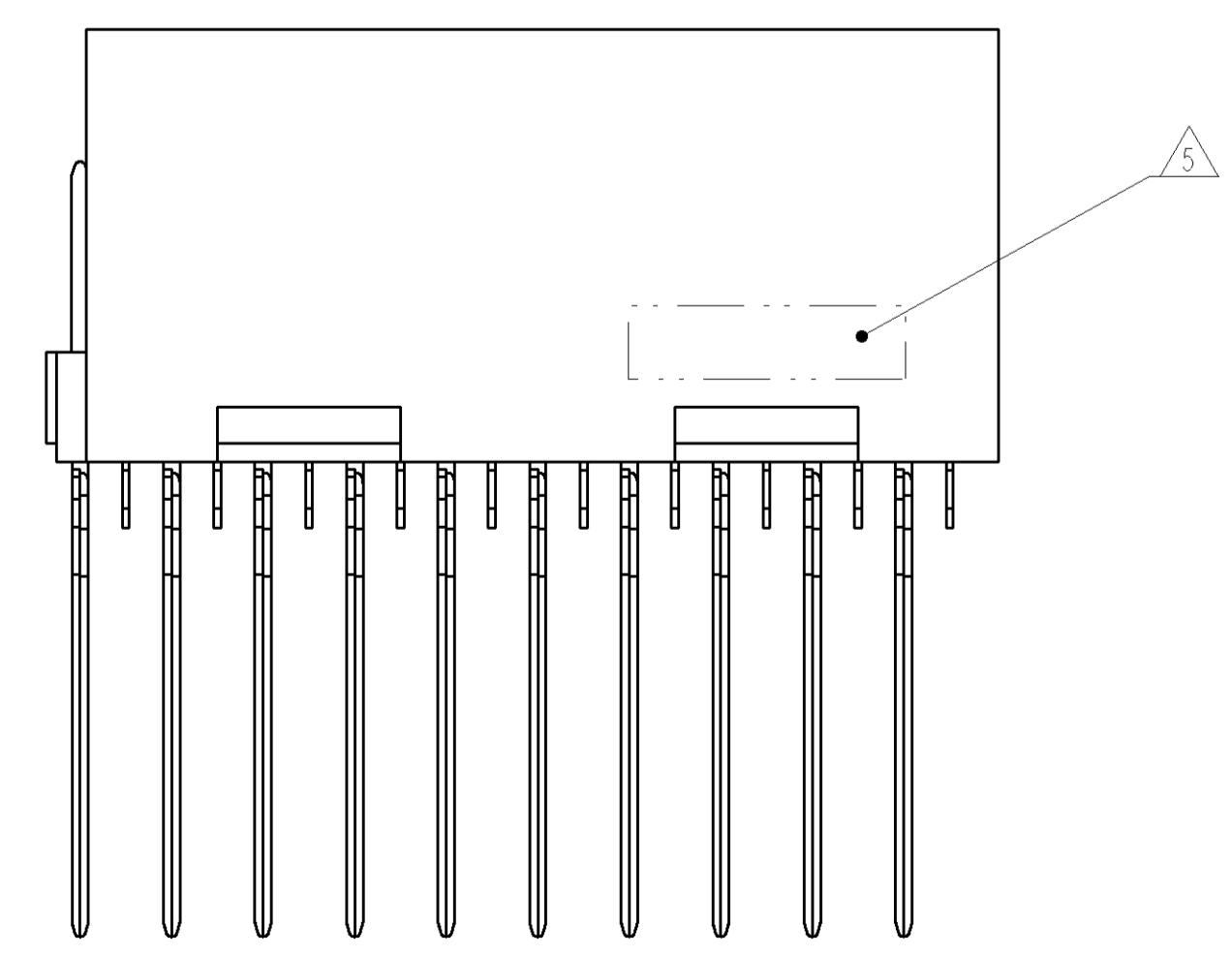


LOC		DIST		REVISIONS			
AD	47	P	LTR	DESCRIPTION	DATE	DWN	APPR
		G1		REV PER ECO-06-024579	18JAN2007	JRP	RAP

- 2 PHOSPHOR BRONZE
- 3 LCP, UL94V-0
- 4 0.76µm MIN GOLD OVER 1.27µm MIN NICKEL UNDERPLATE OR GOLD FLASH OVER 0.76µm MIN PALLADIUM-NICKEL OVER 1.27µm MIN NICKEL UNDERPLATE ON CONTACT AREA. 0.76µm MIN TIN LEAD OVER 1.27µm MIN NICKEL ON COMPLIANT PIN AREA
- 5 CONNECTOR MARKED WITH PART NUMBER AND DATE CODE
- 6 REFERENCE APPLICATION SPEC 114-13020 FOR RECOMMENDED PLATED THRU HOLE DIAMETER AND PLATING THICKNESSES.
- 7 APPLICATION SEATING HEIGHT TO PRINTED CIRCUIT BOARD
- 8 DATUMS AND BASIC DIMENSIONS ESTABLISHED BY CUSTOMER
- 9 CONTACT AREA LUBRICATED WITH BELLCORE APPROVED LUBRICANT TECHNICAL REFERENCE: GR-1217-CORE, ISSUE 1, NOVEMBER 1995



RECOMMENDED
 PRINTED CIRCUIT BOARD
 LAYOUT
 COMPONENT SIDE OF PRINTED CIRCUIT BOARD



14.50	5.30	9.7	120664-2
13.00	3.90	8.2	120664-1
N	M	L	PART NUMBER

DIMENSIONS: mm 		TOLERANCES UNLESS OTHERWISE SPECIFIED: 0 PLC ± 1 PLC ±0.13 3 PLC ±0.05 4 PLC ± ANGLES ± FINISH ±		DWN: H MOLL 23APR99 CHK: HW ANDREWS 23APR99 APVD: HW ANDREWS 23APR99 PRODUCT SPEC APPLICATION SPEC WEIGHT CUSTOMER DRAWING		Tyco Electronics Harrisburg, PA 17105-3608 NAME: HEADER ASSEMBLY, 100 POSITION, 10 ROW, FEED THROUGH, BACKPLANE CONNECTOR, Z-PACK HS3 SIZE: A1 CAGE CODE: 00779 DRAWING NO: C=120664 SCALE: 5:1 SHEET: 1 OF 1 REV: G1	
-----------------------	--	--	--	--	--	---	--